

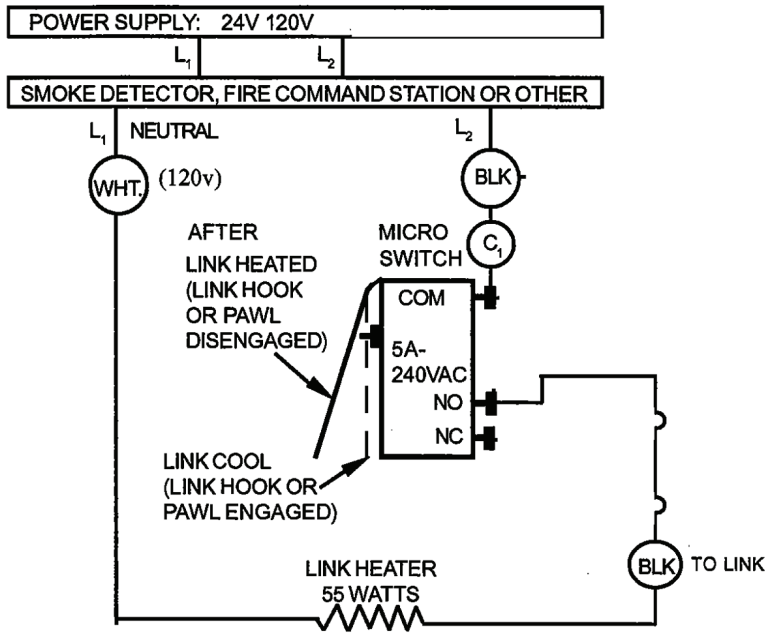
# SUPPLEMENTARY PRODUCT INFORMATION

## “THE MCCABE LINK”

### MODELS E57XXH



## ELECTRIC OPERATION WITH STANDARD WIRING



STANDARD LINKS HAVE ONLY 2 WIRES  
 24V - BLACK / YELLOW  
 120V - BLACK / WHITE

24V = 2.3 AMPS  
 120V = .46 AMPS

**NOTES:**

- Operating up to four links from each detector circuit is possible for sequenced operation if within detector output ratings.
- Release time: 45 seconds maximum
- 30" Leads standard wiring

**Always consult pertinent standards and local building authorities for installation requirements.**



Sheet No. Wiring Diagram

**PHL LINKS, LLC**  
 3916 Traxler Court  
 Bay City, Michigan 48706

Tel: 888-745-2335  
 Fax: 989-686-8152  
 E-mail: info@phlinc.com  
 www.phlinc.com